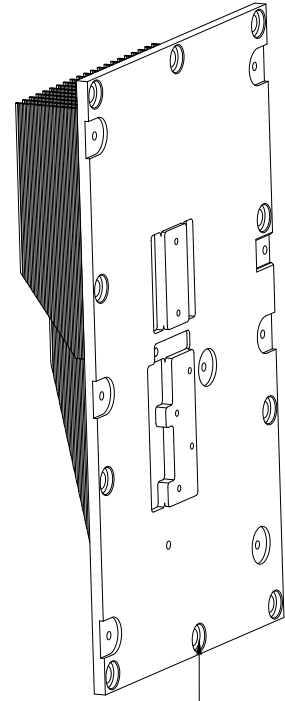
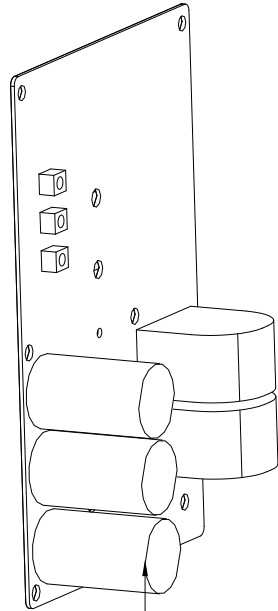


12.1



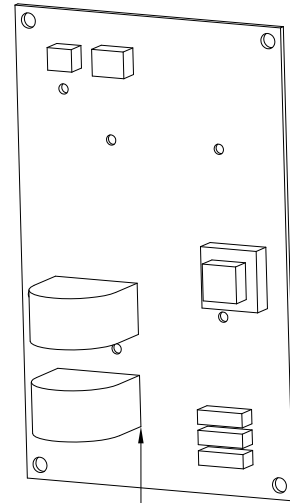
12.2



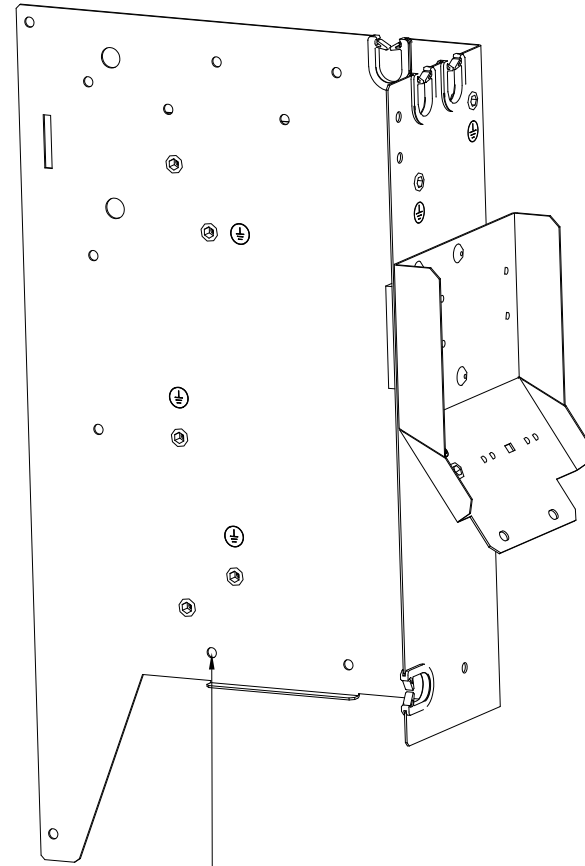
12.3



12.4



12.5



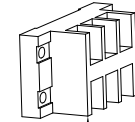
12.6



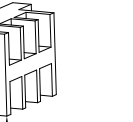
12.7



12.8



12.9



12.10

Exploded View

Product code :
Customer model :

22025314000332
KHA-08RX1

EX_ID	Spare Parts Code	Part Name(EN)	Qty.	Min Shipments	Remark2	Part Status	Remarks	Long Term Material(Y or N)	High Rate of Replacement(Y or N)
1	15500501001368	Gas-liquid separator	1			In Use		N	Y
2	11103020005012	DC Inverter rotary compressor	1			In Use		N	Y
3	12225300A02324	Chassis assembly	1			In Use			
4	15425300002700	Four-way valve assembly	1			In Use			
4.1	15500216000401	Four-way valve kit	1			In Use		N	Y
4.2	11201008000033	Pressure sensor	1			In Use		N	Y
4.3	17400516000628	Pressure controller	1			In Use		N	N
5	12222200000883	Valve plate	1	0		In Use		N	N
6	15425300002701	Suction pipe assembly	1			In Use			
6.1	17400516000024	Pressure switch	1	0		In Use		N	Y
7	15425000000312	Electronic expansion valve assembly	1			In Use			
8	12200202000023	Pipe fixing clamp	1	0		In Use		N	N
9	12225300007771	Side panel assembly	1			In Use			
10	12122200002806	Water collector	1	0		In Use		N	N
11	12123000001440	Large handle assembly	1			In Use			
12	17225300A00923	E-box assembly	1			In Use			
12.1	12227000010295	Radiator support plate	1	0		In Use		N	N
12.2	11201007000205	Radiator sensor	1	10		In Use		N	Y
12.2	11203803003336	Radiator	1	0		In Use		N	N
12.3	17125300003907	Module board assembly	1		Afrer-sale code:1712530002783	In Use			

12.4	12227000011746	Connecting plate assembly	1		Afrer-sale code:12 2270000 10936	In Use			
12.5	17125300003185	Outdoor main control board assembly	1		Afrer-sale code:17 1253000 03183	In Use			Y
12.6	12225300008425	Electric control box welding assembly	1			In Use			
12.7	12122000006931	Insulation plate	1	0		In Use		N	N
12.8	17400401000183	Wire joint	1	0		In Use		N	N
12.9	12100303000123	Tension clip	1	0		In Use		N	N
12.10	17400401000073	Wire joint	1	0		In Use		N	N
13	12127000000796	Waterproof cover	1	0		In Use		N	N
15	15825300001020	Condenser part	1			In Use			N
16	12222200001865	Left bracket	1	0		In Use		N	N
17	12223000003685	Supporter assembly of fan motor	1	0		In Use		N	N
18	11002015000104	Brushless DC Motor	1	4		In Use		N	Y
19	12100105000501	Axial fan	1	0		In Use		N	Y
20	12225000000545	Top cover ass'y	1	0		In Use		N	N
21	12223000003689	Front panel	1	1		In Use		N	N
22	12126000000512	Grille	1	0		In Use		N	N
23	11201007003027	Room Temperature Sensor	1	10	T4:OUT DOOR AMBIENT TEMPERATURE SENSOR	In Use		N	Y

24	11201007002463	Discharge Temperature Sensor	1	10	Tp:COMP. DISCHARGE TEMPERATURE SENSOR	In Use		N	Y
25	11201007001784	Pipe Temperature Sensor	1	10	Th:EVAPORATOR INPUT TEMPERATURE	In Use		N	Y
26	11201007000164	Pipe Temperature Sensor	1	10	T3:CONDENSER TEMPERATURE SENSOR	In Use		N	Y
28	12100701000276	Small handle	2	0		In Use		N	N
29	12223000005727	Side plate ass'y of front	1	0		In Use		N	N
30	12225300007768	Partition board assembly	1			In Use			