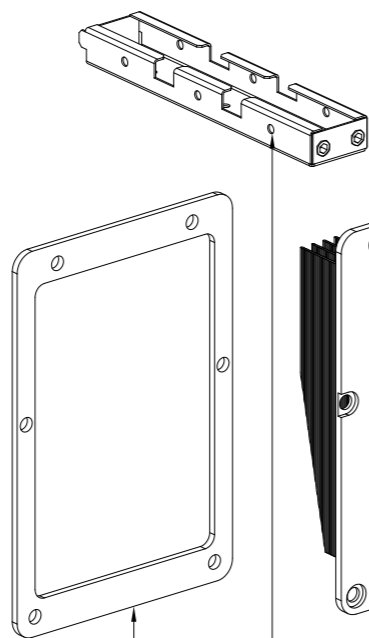
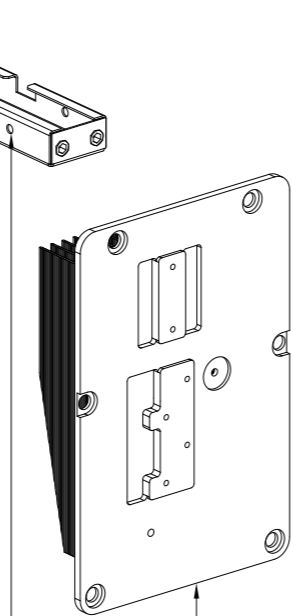


17.1

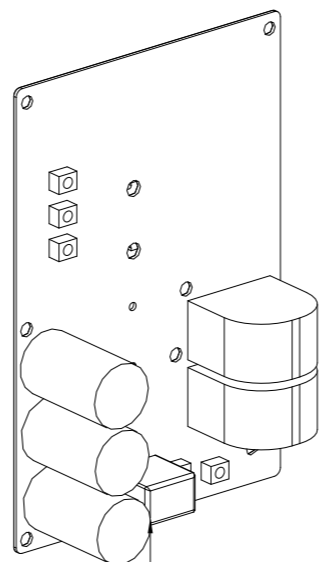


17.2

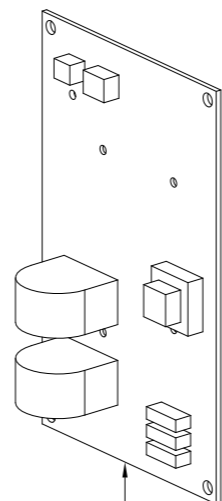


17.3

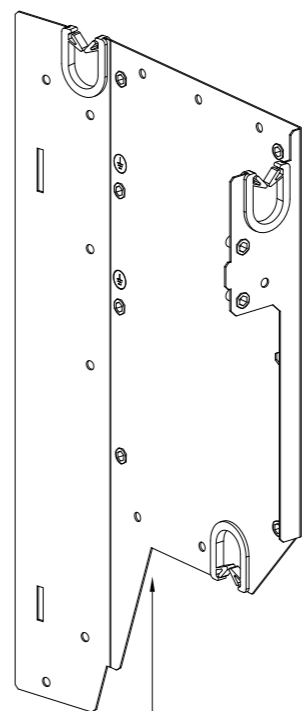
13.4



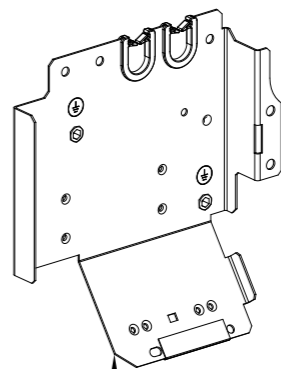
17.5



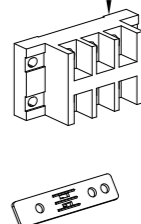
17.7



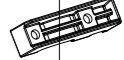
17.8



17.9



17.13



17.14

17.16

17.15

Exploded View

Product code :
Customer model :

22025314000412
KHA-06RY1

EX_ID	Spare Parts Code	Part Name(EN)	Qty.	Min Shipments	Remark2	Part Status	Remarks	Long Term Material(Y or N)	High Rate of Replacement(Y or N)
1	11103020005759	DC Inverter rotary compressor	1			In Use			Y
2	12227000013312	Chassis part	1			In Use			
5	15427000004445	Four-way valve assembly	1			In Use			
5.1	15500216000103	4-way valve suite	1			In Use		N	Y
5.2	11201008000033	Pressure sensor	1			In Use		N	Y
5.3	17400516000808	Pressure switch	1			In Use			N
6	12223000012694	Valve plate	1			In Use			
7	15427000004447	Suction pipe assembly	1			In Use			
7.1	17400516000008	Pressure switch	1	0		In Use		N	N
8	12600401003653	Rubber washer	1			In Use			
9	15425300003060	Liquid storage tank assembly	1			In Use			
11	12600401000158	rubber base	1	0		In Use		N	N
14	12122000026883	Water collector	1			In Use			
15	12227000011039	Large handle	1			In Use			
16	12223000012692	Right Rear Side Panel Assembly	1			In Use			
17	17223000A06257	E-box assembly	1			In Use			
17.1	12227000012306	Radiator support plate	1			In Use			
17.2	12627000000646	Seal gasket	1			In Use			
17.3	12927000001412	Optional heat exchanger	1			In Use			
17.4	12227100005180	Connecting plate assembly	1			In Use			
17.5	17125300003909	Module board assembly	1			In Use			Y
17.7	17125300003688	Outdoor main control board assembly	1			In Use			Y
17.8	12223000012690	Electrical appliance mounting plate assembly	1			In Use			

17.9	12223000012689	Electrical appliance mounting plate assembly	1			In Use			
17.13	12122000006931	Insulation plate	1	0		In Use		N	N
17.14	17400401000183	Wire joint	1	0		In Use		N	N
17.15	12100303000126	Tension clip	1	0		In Use		N	N
17.16	17400401000023	Terminal	1	0		In Use		N	N
17.16	17400401000073	Wire joint	1	0		In Use		N	N
18	15427000004444	Expansion valve assembly	1			In Use			
18.1	15500213001526	Electronic expansion valve suite	1			In Use			Y
20	15827000001668	Condenser part	1			In Use			N
22	12227000011348	Fixture clip	1			In Use			
23	12127000000796	Waterproof cover	1	0		In Use		N	N
24	12227000012331	Top cover assembly	1			In Use			
25	12223000012695	Motor holder assembly	1			In Use			
26	11002015010746	Brushless DC Motor	1	4		In Use			Y
27	12100105000022	Axial flow fan	1	0		In Use		N	Y
29	12223000012696	Column	1			In Use			
30	11201007003028	Room Temperature Sensor	1	10	T4: OUTDO OR AMBIEN T TEMPE RATUR E SENSO R	In Use		N	Y
31	11201007002463	Discharge Temperature Sensor	1	10	Tp: COMP DISCHA RGE TEMPE RATUR E	In Use		N	Y

32	11201007001784	Pipe Temperature Sensor	1	10	Th: EVAPO RATOR INPUT TEMPE RATUR E	In Use		N	Y
33	11201007000164	Pipe Temperature Sensor	1	10	T3:CON DENSO R TEMPE RATUR E SENSO R	In Use		N	Y
34	12223000012698	Front panel	1			In Use			
35	12927000001413	Wind nets	1			In Use			
38	12223000012691	Right Front Side Panel Assembly	1			In Use			
39	12222500001912	Partition board assembly	1			In Use			